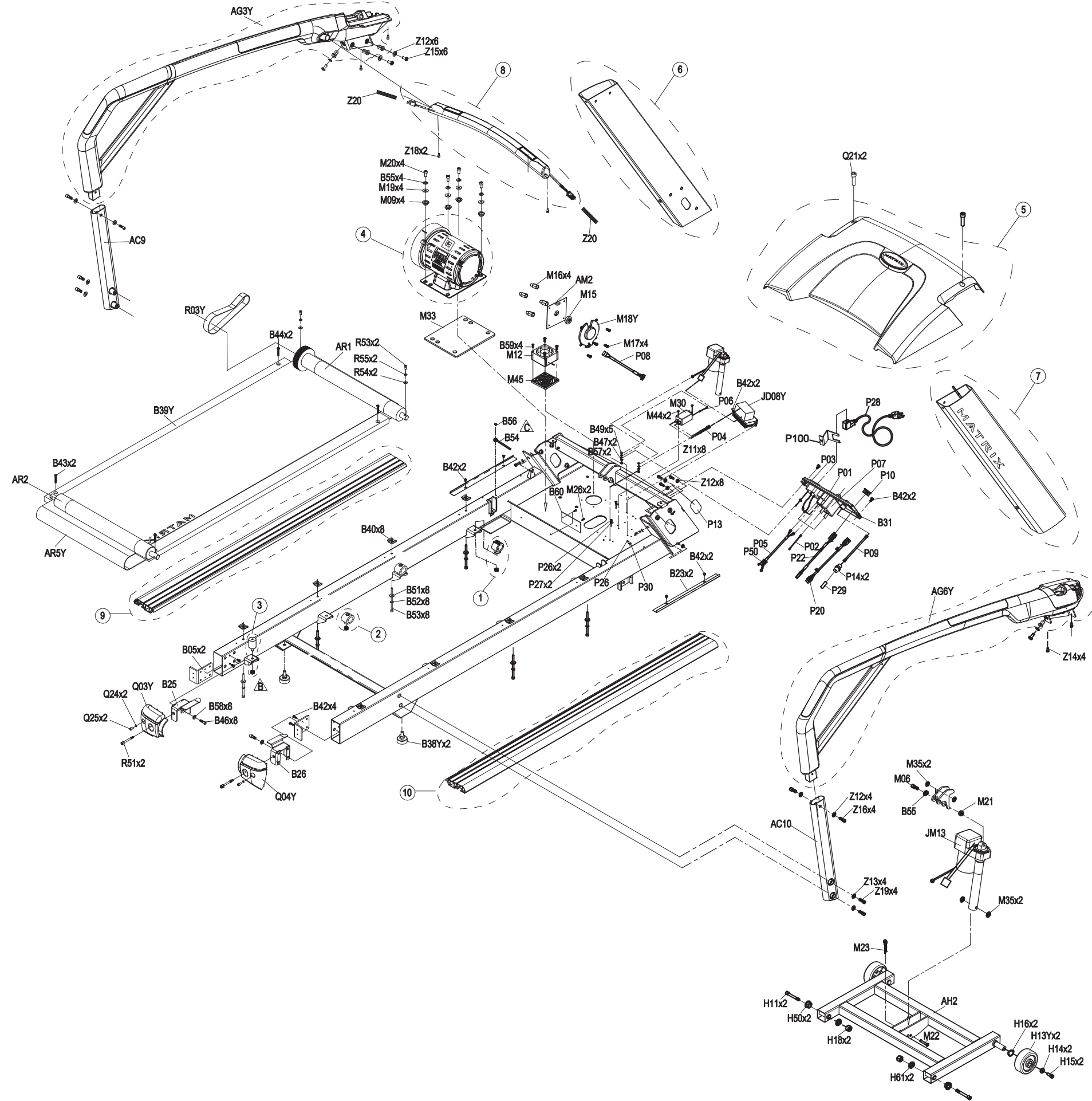
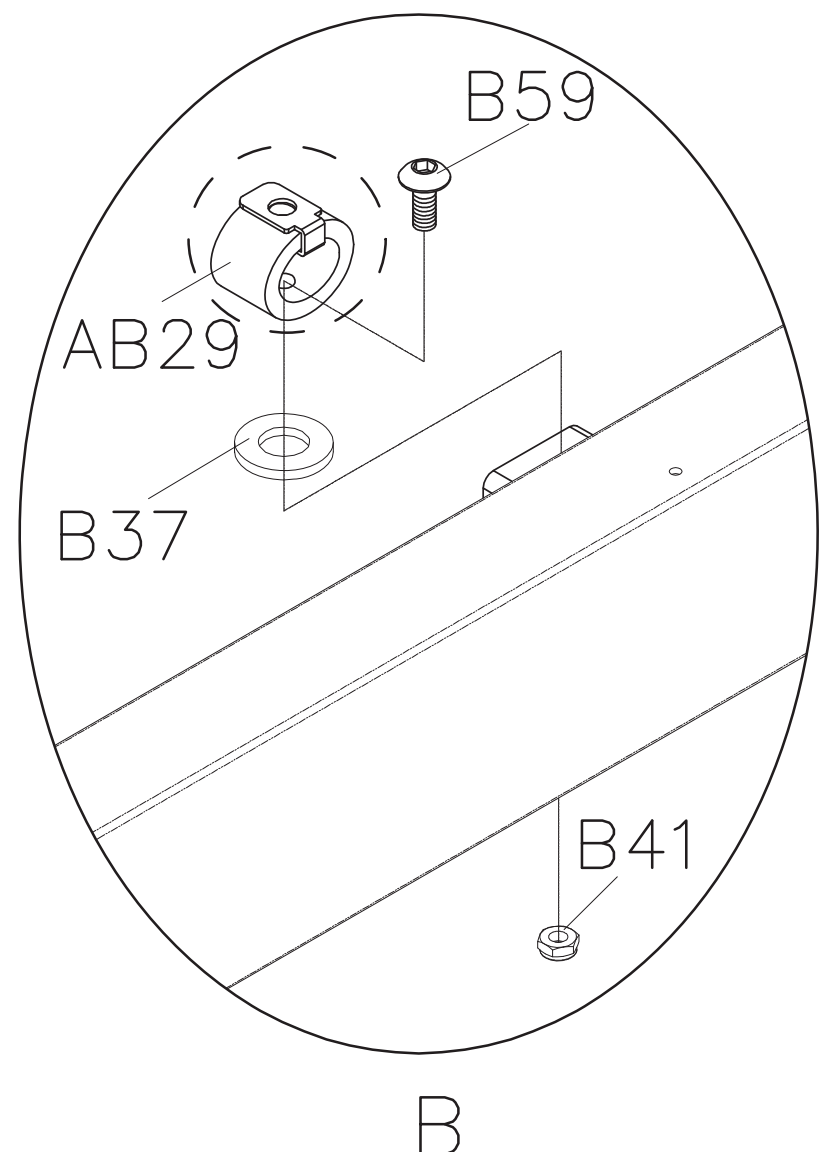
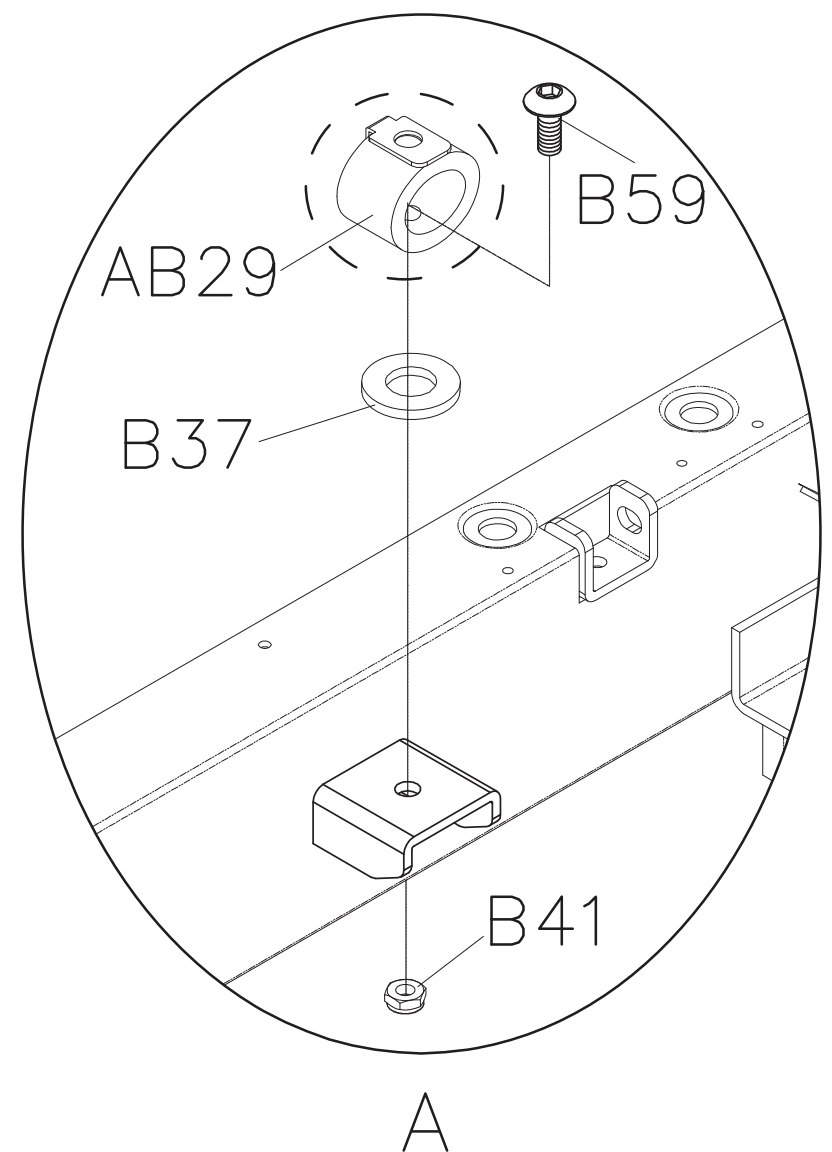
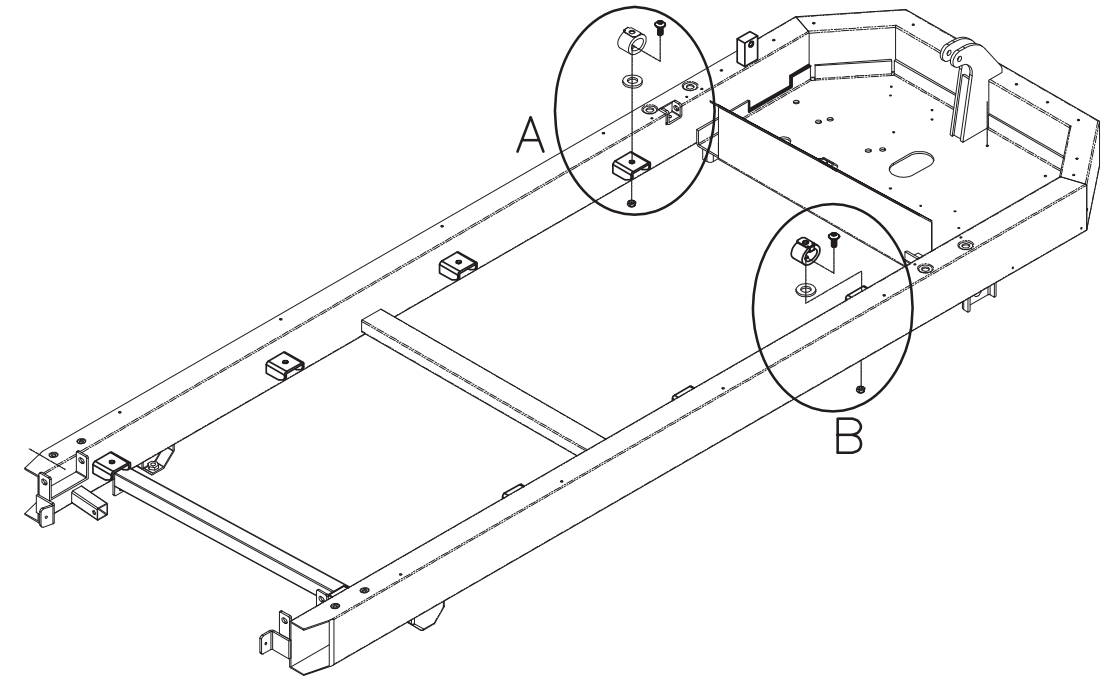


DRAWING NO	PTM526-1US-F		
PART NAME	Explosive Rendering		
PART NO	MTM0423-00	REV	C
APPROVE	Chendongming	DATE	2018.01.22

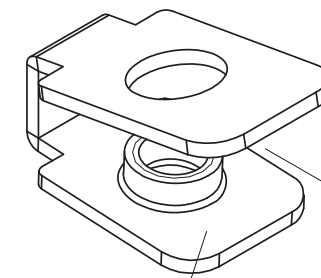
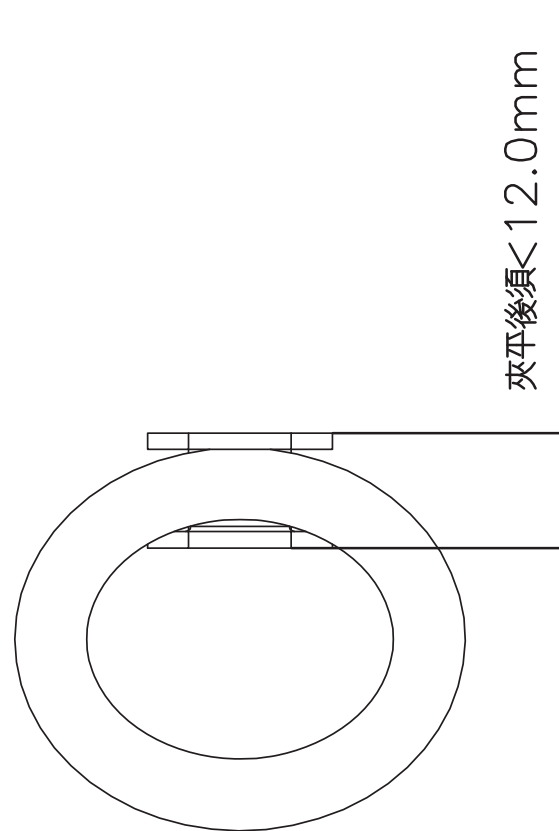
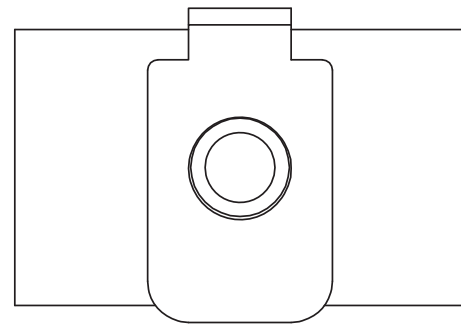
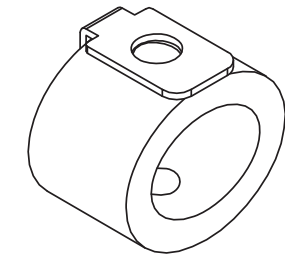


DRAWING NO	TM507-AB20		
PART NAME	Elastomer Set;Running Deck;Front		
PART NO	As Attachment ^R / _D		
APPROVE	S.T.C	DATE	092110

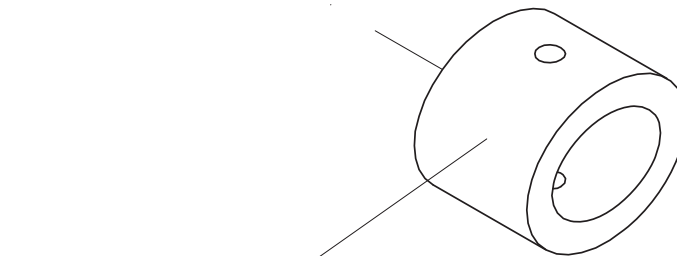
Part No.	Description
0000091091	Miner
0000095661	Nai Ri



DRAWING NO	TM501-AB29		
PART NAME	Elastomer Set; Miner		
PART NO	As Attachment ^R / _V C		
APPROVE	S.T.C	DATE	092110




B33

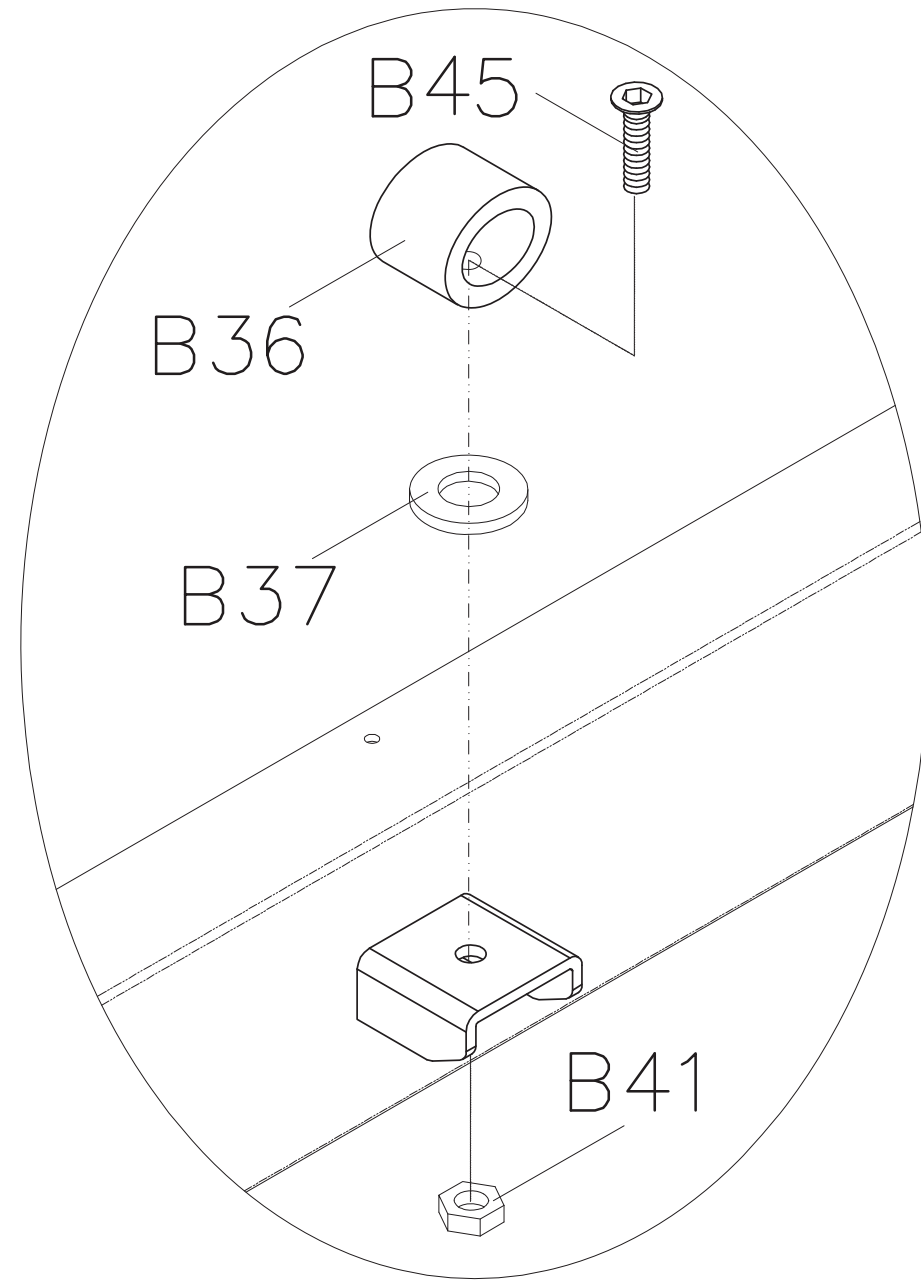
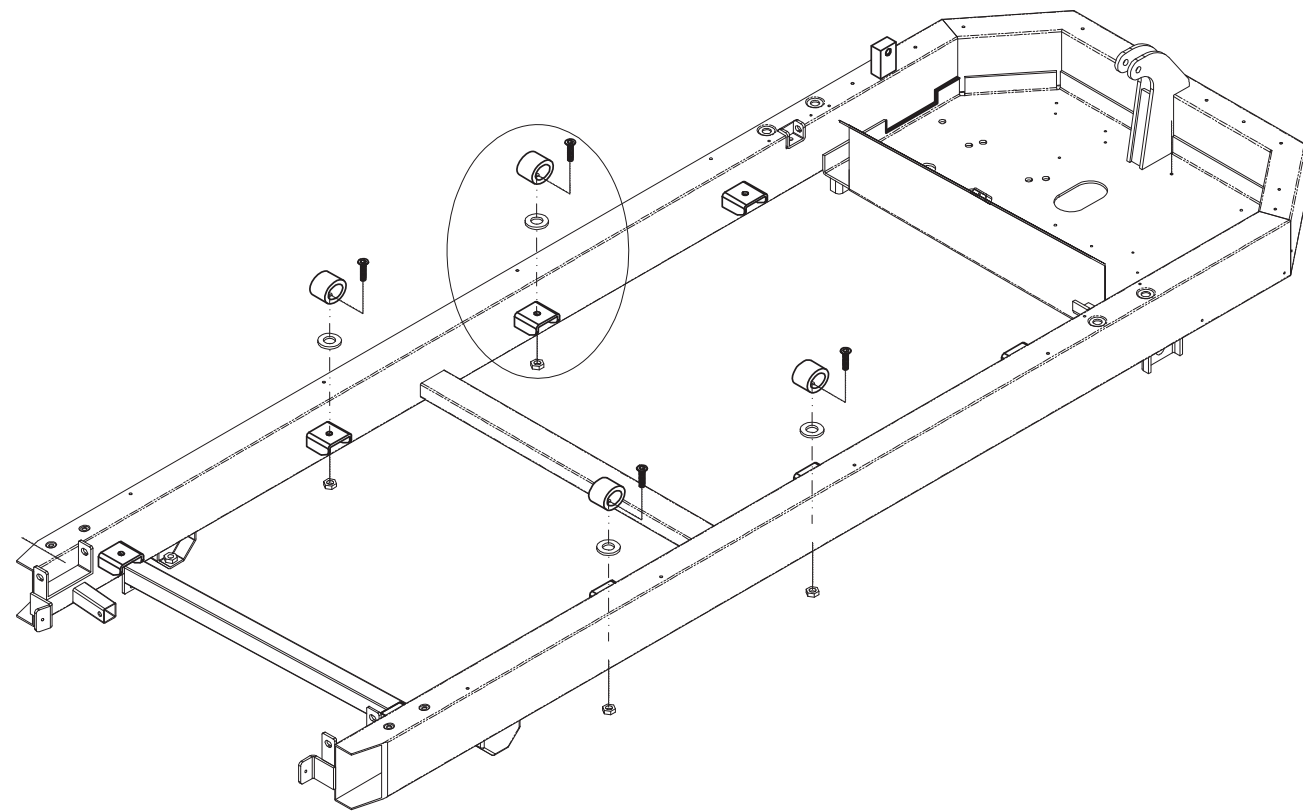



B36

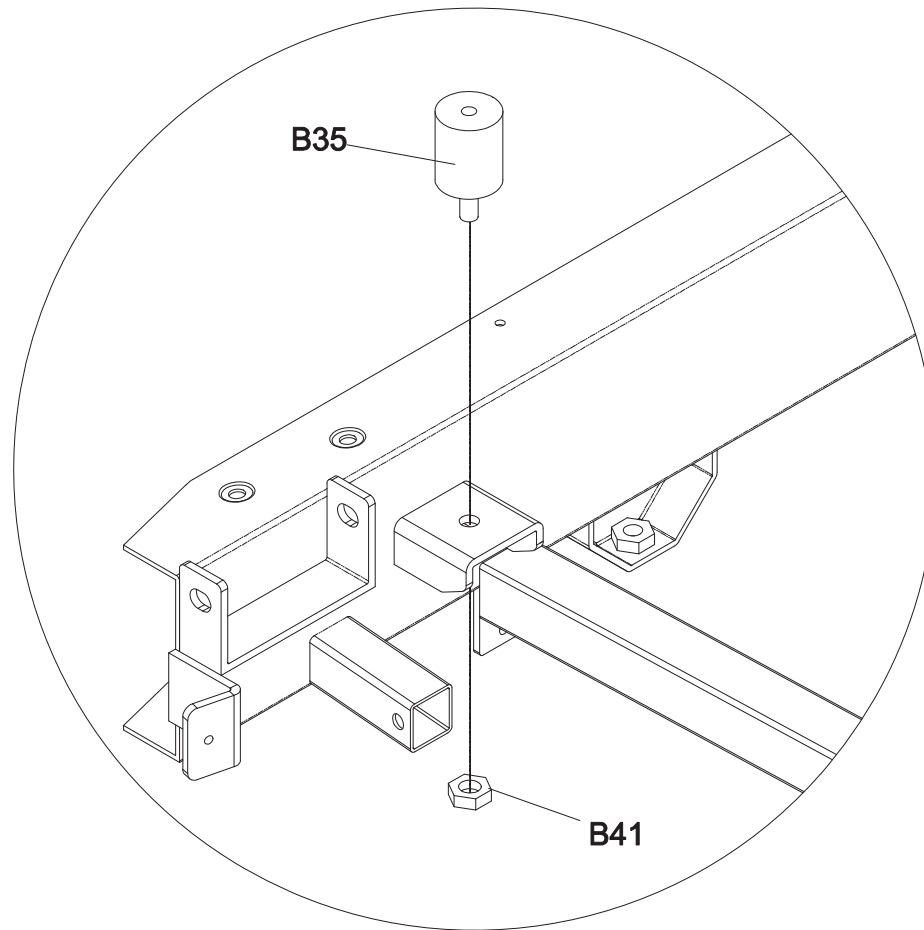
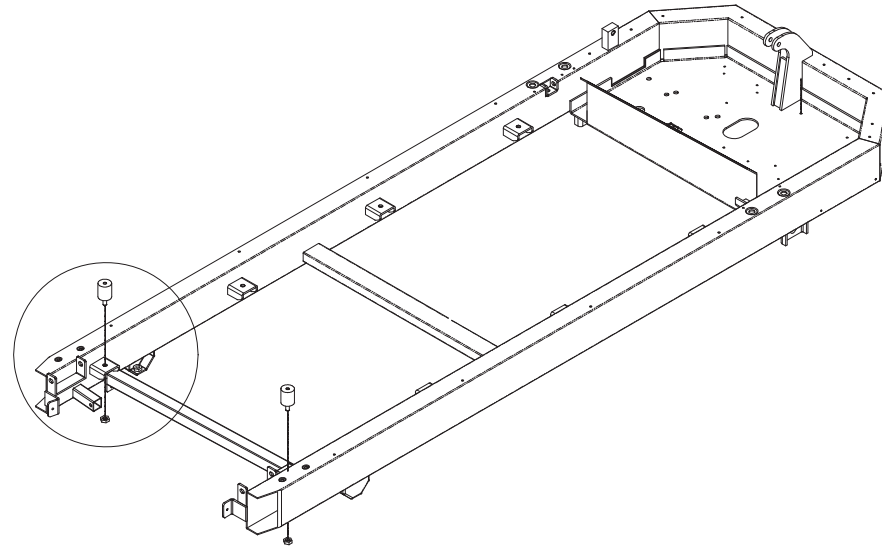
Part No.	Description
1000204015	Miner
0000095663	Nai Ri

DRAWING NO	TM507-AB21		
PART NAME	Elastomer Set;Running Deck;Middle		
PART NO	As Attachment 		
APPROVE	S.T.C	DATE	092110

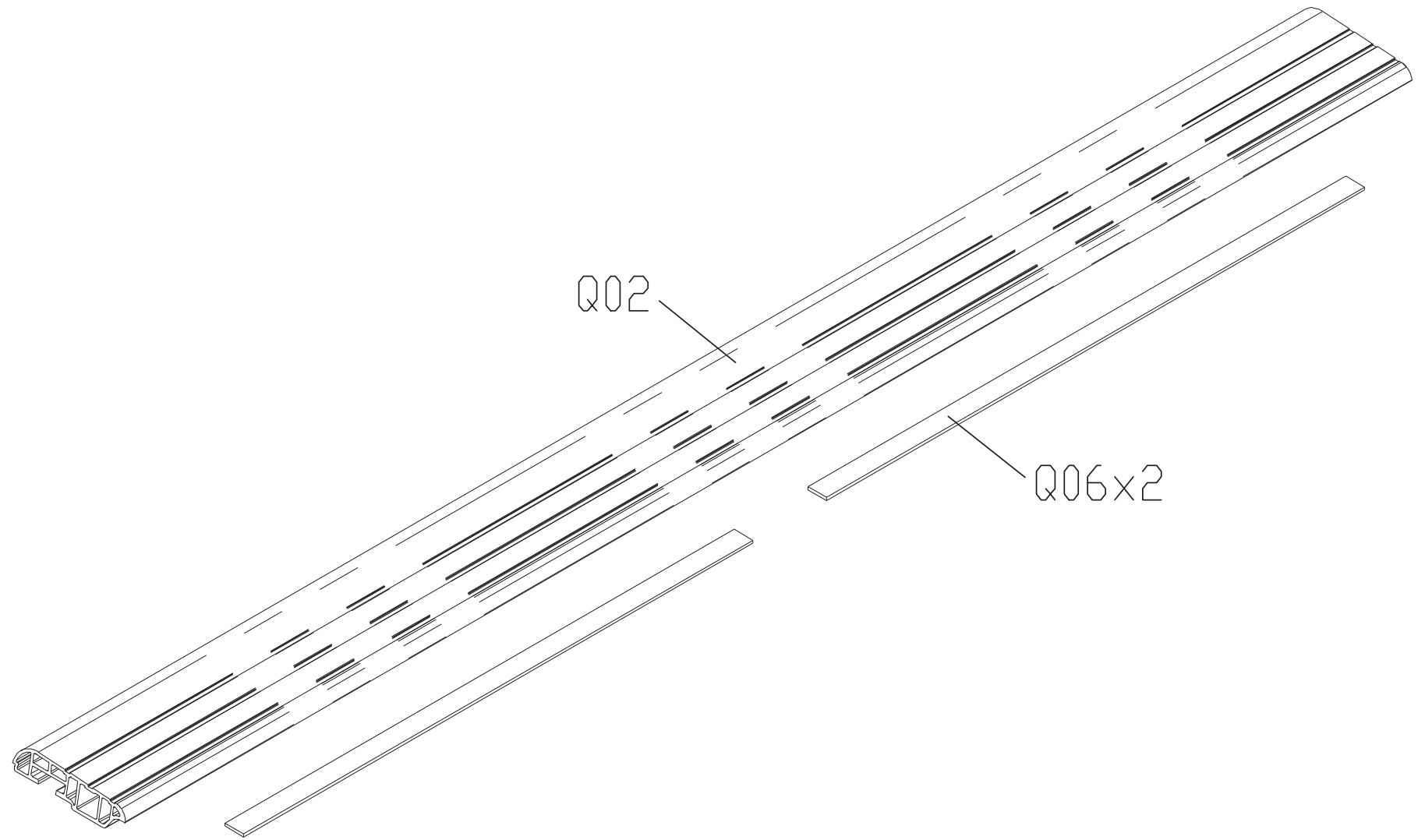
Part No.	Description
0000093039	Miner
0000095662	Nai Ri



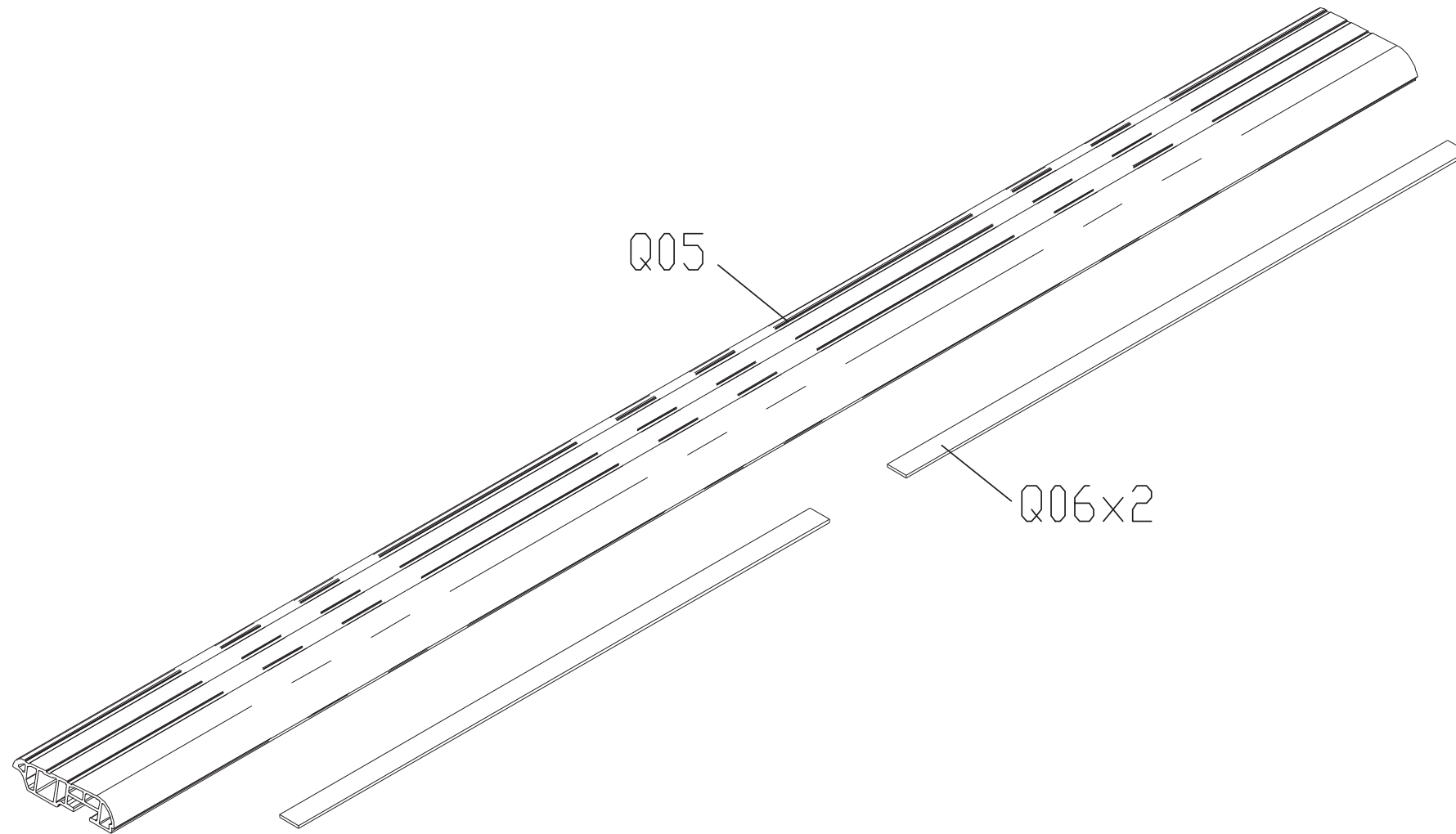
DRAWING NO	TM507-AB22
PART NAME	Elastomer Set
PART No.	0000091092
APPROVE	Longyb  A



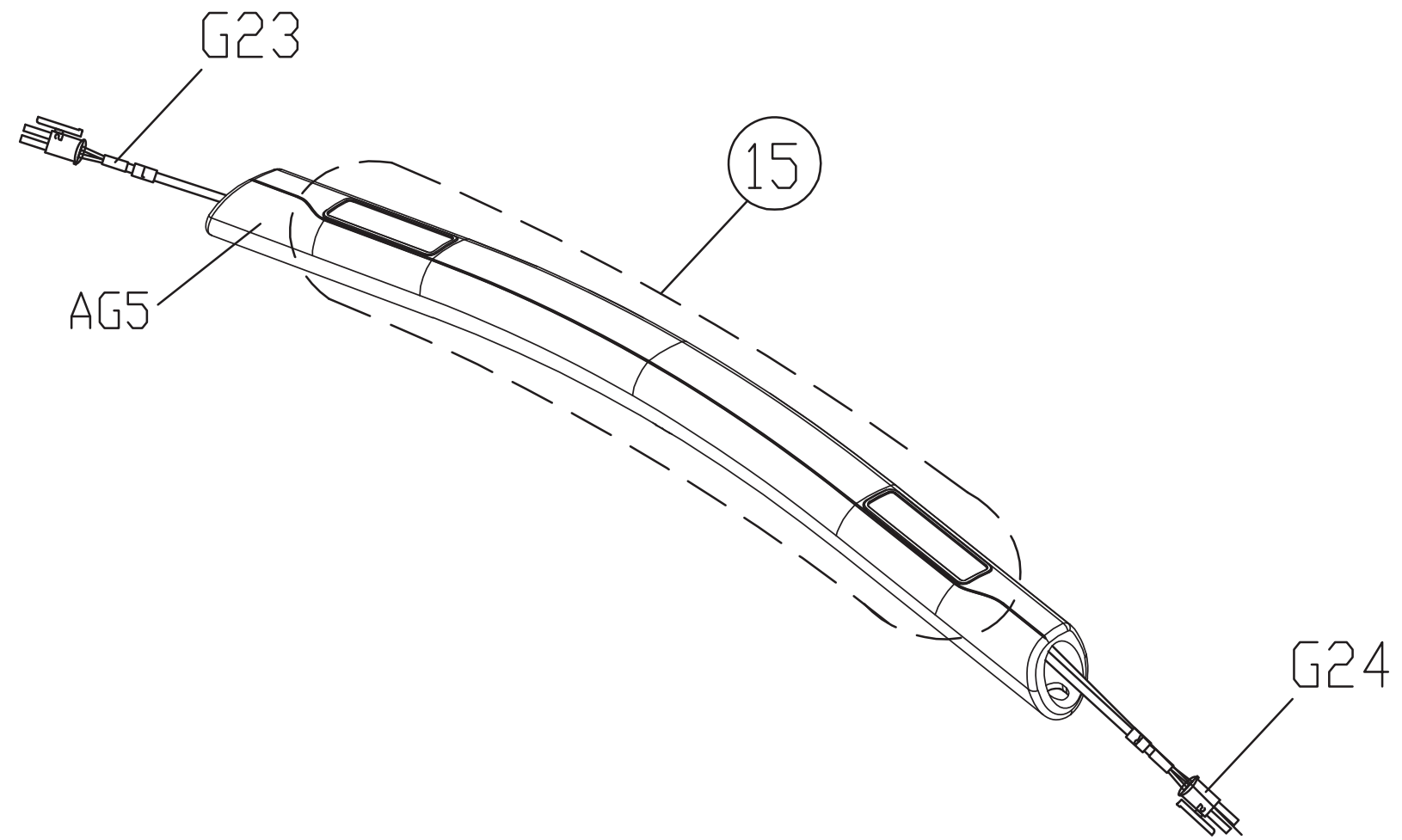
DRAWING NO	TM507-AQ3		
PART NAME	Side RIL SET;Left		
PART NO	0000093046	REV	A
APPROVE	zhouping	DATE	070215




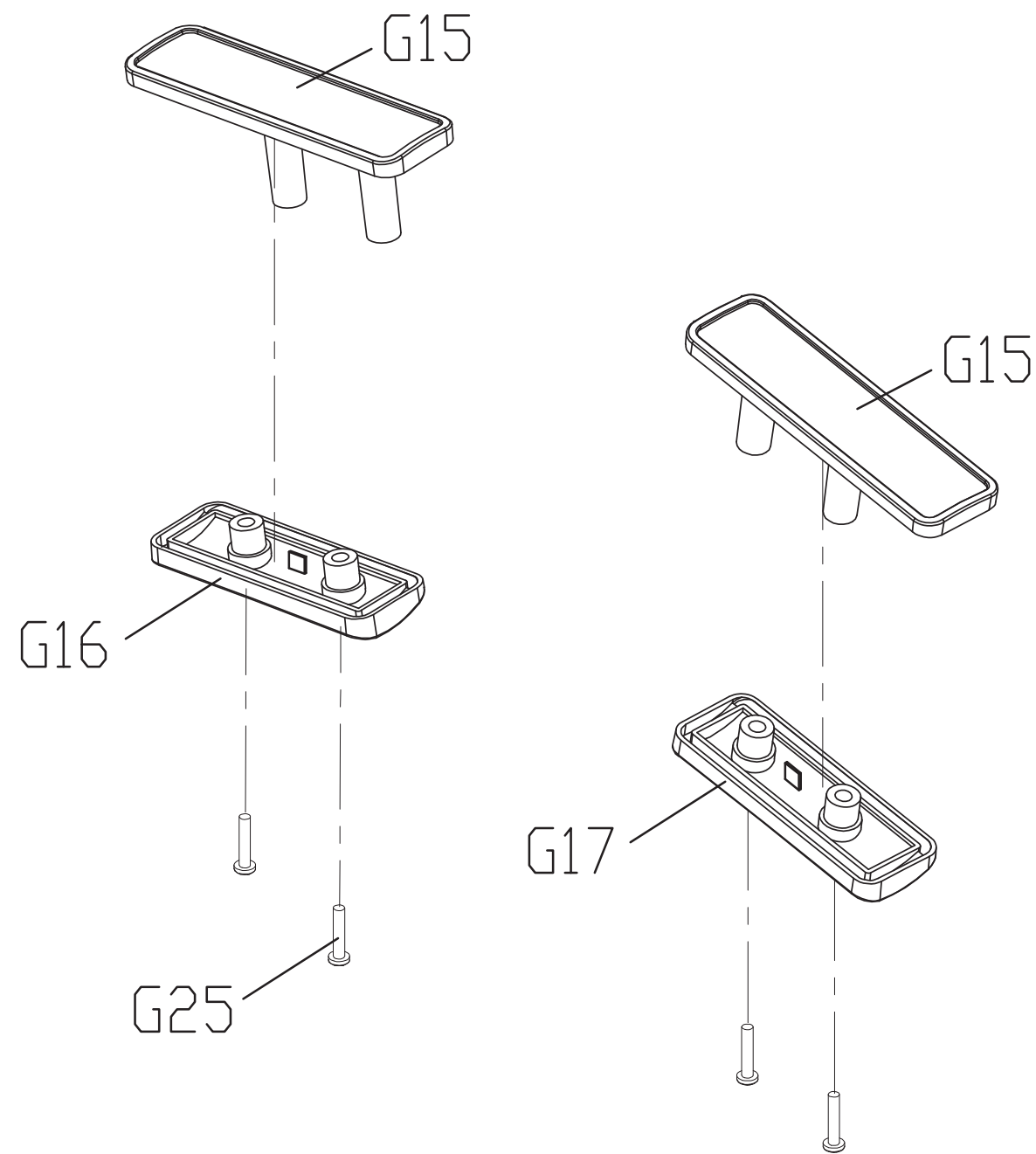
DRAWING NO	TM507-AQ4		
PART NAME	Side RIL SET;Right		
PART NO	0000093047	REV	A
APPROVE	zhouping	DATE	070215



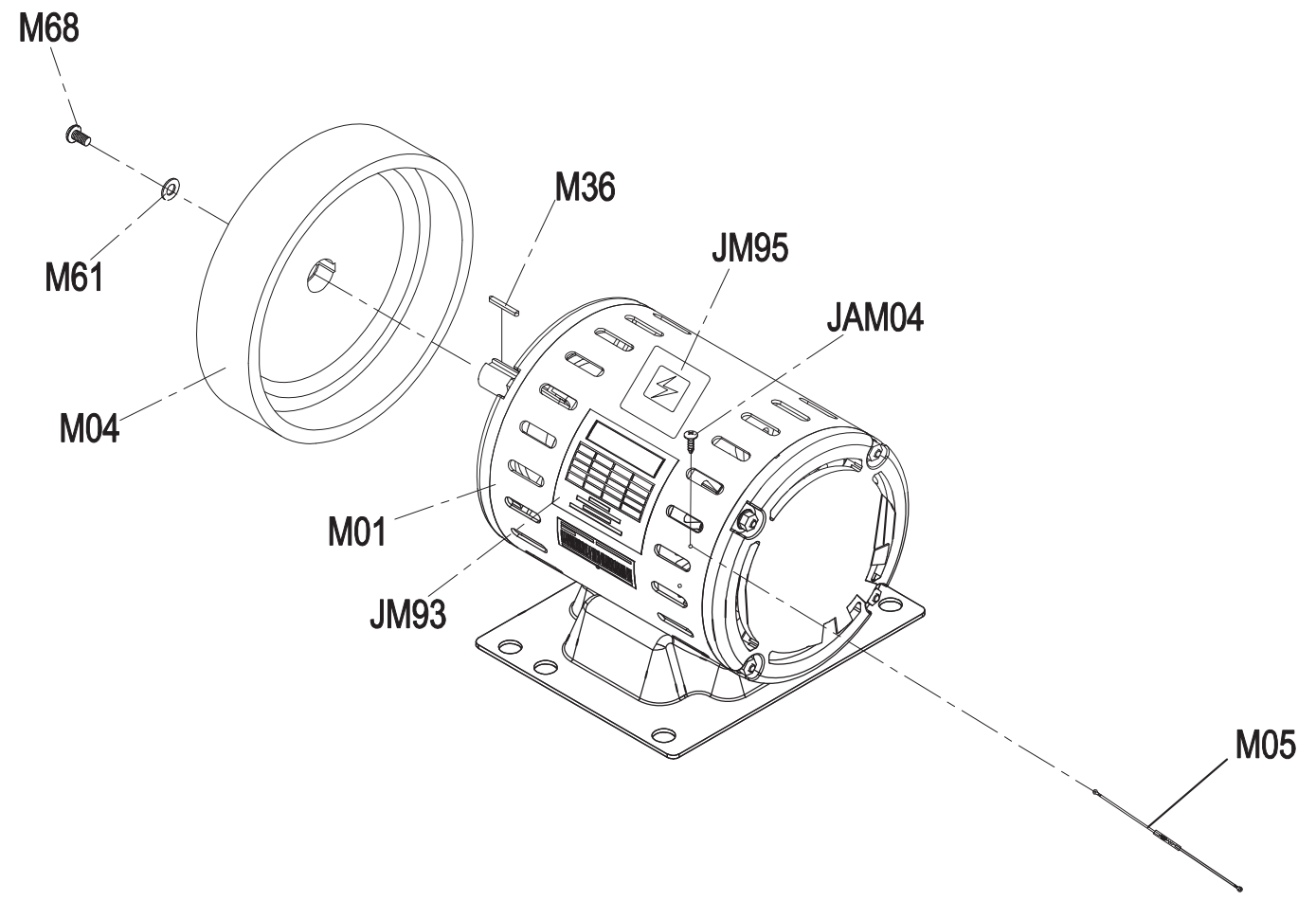
DRAWING NO	TM523-AG15		
PART NAME	Handlebar Set		
PART NO	1000231011 ^R _B		
APPROVE	SHUYI	DATE	010313




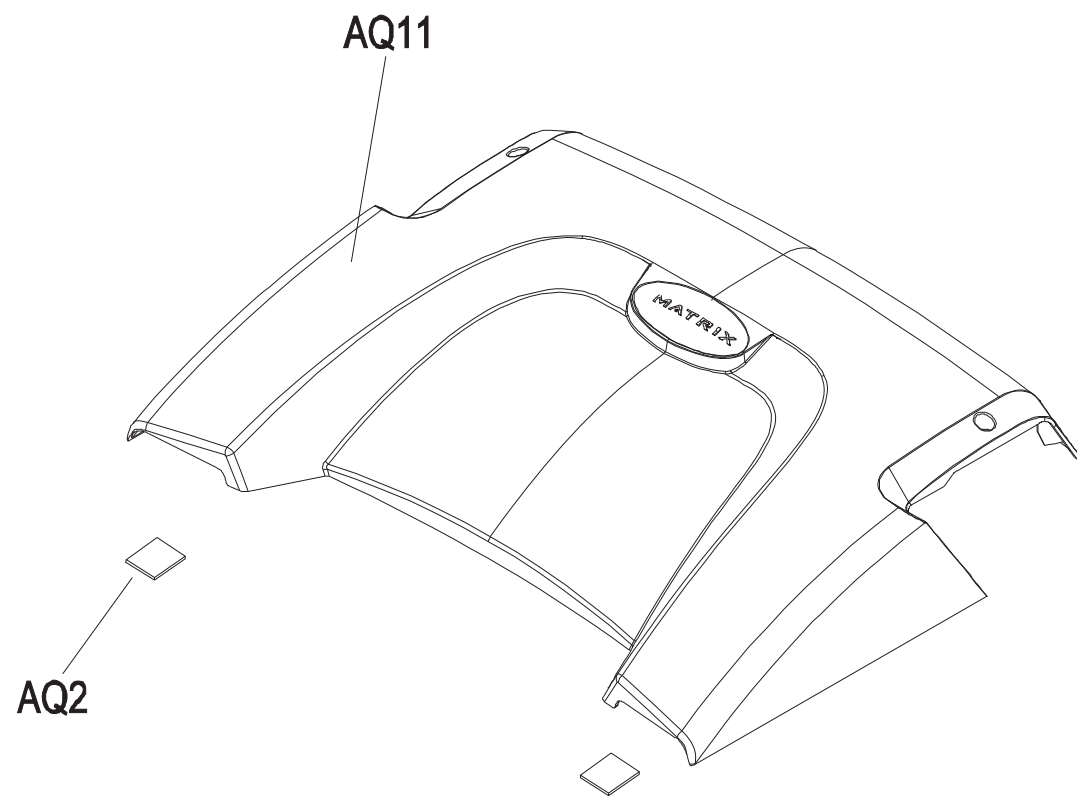
DRAWING NO 圖 號	TM509-AG10
PART NAME(CH) 零件名稱(中文)	握管組;感應器
PART NAME(EN) 零件名稱(英文)	Grip Tube Set;Sensor
SAP PART NO SAP料號	0000093038  A



DRAWING NO	TM526-AM1		
PART NAME	Motor Set		
PART NO	1000343457	REV	A
APPROVE	Huanghai	DATE	2015.3.19



DRAWING NO	TM526-AQ1		
PART NAME	Motor Cover Set		
PART NO	1000344348		A
APPROVE	Long yun bo	DATE	2015.8.21



Bubble #	OEM Number	Description	Notes
1	0000095661	Elastomer Set Running Deck front Nai Ri	
10	0000093047	Side Rail Set Right T1x-F	
15	0000093038	Pulse Sensor Set	
2	0000095662	Elastomer Set Running Deck mid Nai Ri T1	
3	0000091092	Elastomer Set Running Deck Back T1x-F	If this part is not in stock, send components 1000412624 and 0000095437 instead.
4	1000343457	Motor Set with Elastomer TM526-1US-F	
5	1000344348	Motor Cover Set up Include Nameplate TM	
6	1000348267	Console mast set Semi-Assy left TM522	
7	1000348268	Console mast set Semi-Assy right TM522	
8	1000231011	Handlebar Set T-3x-04-F	
9	0000093046	Side Rail Set Left T1x-F	
AC10	1000341112	Support Seat Set Arm Rest R painting BP-	
AC9	1000340932	Support Seat Set Arm Rest L painting BP-	
AG3Y	1000366736	Arm Rest Set Semi-Assy left TM526	
AG6Y	1000366737	Handlebar Set Semi-Assy right TM526	
AH2	0000087213	Elevation Rack Set TM507-1US	
AM2	1000340320	Ecode set H001 T-3xh-F TM526	
AQ2	0000093024	Velcro Set Motor Cover T1x-F	
AR1	1000348797	Roller Set Front TM526	
AR2	1000344328	transmission set back JR02	
AR5Y	0000094490	Running Belt Print TM68B 508x3275x2.5t	
B05	0000086749	Fix Plate End Cap B SPHC BED 5.0t T1x	
B23	0000088932	Ornament Plate Frame SPHC 1.0t BED T1x	
B25	0000089043	Rear Roller Bracket Left.B BL TM509	
B26	0000089044	Rear Roller Bracket Right.B BL TM509	
B31	1000211468	Fix Plate Power Switch SPHC 1.6t BED	
B37	065871-A	Washer Flat 10.2X34.0X3.0T BAN	
B38Y	000500-00	Leveler Frame	
B39Y	004284-AB	Running Deck 605X1390X25.4T Timber	
B40	0000084526	Bracket Side Rail SPHC 2.0t TM501	
B41	0000095437	Nut Nlk M8X1.25Px6t BZN	
B42	004385-00	Screw BH M5X0.8PX12L PH BAN	

B42	004385-00	Screw BH M5X0.8PX12L PH BAN	Discontinued
B43	004562-AB	Screw Hex Socket Sink Stainess M8x1.25Px35L	
B44	0000094172	Screw FH M8x1.25Px40L HS SST BAN	
B45	0000084584	Screw BH M8X1.25PX20L HS BAN	
B46	004479-00	Screw Round Hex Socket M8X1.25PX15L	
B47	0000082734	Washer Senated M5.3X10X0.6 Zinc Plate	
B49	004889-00	Nut Hex M5x0.8P Nickel	
B51	020455-00	WASHER FLT Diam.6.2XDiam.20.0X1.0T BZN	
B52	0000089800	Washer DSP 6.4X14.0X1.2T SPHC	
B52	020455-00	WASHER FLT Diam.6.2XDiam.20.0X1.0T BZN	
B53	0000089153	Screw SH M6X1.0PX110L HS BAN	
B54	1000307388	Frame GND knitted&metallic 40mm 6 O	
B55	005010-00	Washer Spring 10.75x17.2x2.16t	
B56	004615-AD	Screw Button Head Diam.4X10L Sheet Metal	
B57	004384-00	Screw Phillip BH M5x0.8Px30L Ni Gap	
B58	005238-00	Washer Lock 8.2x16x1.25T	
B59	1000212621	Screw BH M4X0.7PX40L - PH - BZN	
B60	037990-A	Electricity Wood Board 80.0x240.0x1.0t T	
G23	1000231001	Pulse Sensor Left (H6630R1-1X3+110X	
G24	1000231002	Pulse Sensor Right (H6630R1-1X3+110	
G25	0000086278	Screw Phillip Round M3x0.5Px15L BED	
H11	1000343262	Screw-Extrawork grinding TM512	
H13Y	000035-D	Transport Wheel Nylon 100 BL TM65	
H14	005042-00	Washer Flat 8.2X30.0X2.0T Black Zinc	
H15	004757-00	Screw Oval Hex Socket M8x1.25Px12L	
H16	005220-00	Washer Wavy 20.7x29.1x.3T	
H18	020378-00	Nut Hex M16x2.0Px7.8t	
H50	103299	Bushing Pedal Arm	
H61	0000093781	Washer SPL 17.3x26.3x3.0t BZN	
JAM04	0000095703	Screw RND M3.5X6L TC PH WZN ROHS	
JD08Y	1000340322	Controller Motor 2945467100 V1.01 Delta	
JM13	0000086720	Elevation Motor 1300LB/115V 127mm TM501	
M05	038118-A	Ground Wire Motor 240L (KST RVS3-5)x2 TM	
M06	004589-00	Screw Hex W3/8x47L/Tooth14L	

M09	001295-B	Insulating Sleeve Screw ABS 10.2X14/24X7L	
M12	0000094431	Fan Cooling FD128025LB DC 12V/0.1A T7000	This is not the fan that's mounted on the MCB.
M15	1000340321	Sensor set T-3xh-F TM526	
M16	1000341116	Brass Pillar M4x7	
M17	018618-00	SCREW RND M4X0.7PX8L PH	
M18Y	1000341117	Anti-Dust cover E-COVER ABS/PA765A SL/G	
M19	020478-00	Washer Flat 10.2x20.0x2.0T Black Zinc	
M19	020478-00	Washer Flat 10.2x20.0x2.0T Black Zinc	Discontinued
M20	020104-AD	Screw Hex Socket Round M10x1.5Px30L Adhe	
M21	004934-00	Nut Nylon 3/8'-16UNC	
M22	0000093962	Pin Elevation Clevis SCM440x15x65L Runner Gold	
M23	008652-A	Pin Hairpin Cotter 2x33L ZNC	
M26	004376-00	Screw BH M5X0.8PX8L CT PH BZN	
M30	1000396097	Filter 20A 125/250V BF1103-20A-04(3)	
M33	000885-C	Rubber Pad Motor Anti-Shake	
M35	1000227226	Washer Flat ?X10.5x?X25.0x1.0T Nylon+S2M	
M44	004361-AB	Screw Phillip BH M4x0.7Px10L BED Gap	
M45	0000086524	Guard Fan PG-80 BLACK	
M61	005109-00	Washer Flat 8.5x25x1.5T Black Zinc	
M68	004695-AB	Screw Hex Socket Flat M8x1.25Px12L	
Not Shown	005394-00	Wrench T-Type 8mm	
Not Shown	1000343464	Hardware Set TM526 T-3XH-F	
Not Shown	1000343462	Manual Assembly English TM526	
P01	1000317845	Power Switch ON-OFF W/ Light 125V/250V 2	
P02	002127-A	BS Wire 60L 12AWG Black TM86	
P03	1000350436	Power Socket Set 12AWG+14AWG 100+250	
P04	1000340192	MCB power wire 12AWG,14AWG,12AWG 200	
P05	0000086674	Power Wire EMI Filter to Switch 200(RVS	
P06	002391-A	Ground Wire EMI Filter W/FERRITE 160L	
P07	1000209313	Circuit Breaker 20A 125V/250V RFLB-2	
P08	1000340193	Connect 28AWG 500L Encoder T-3xh-C T	
P09	0000087241	Wire TV Signal 180L(GF-C075)x2 T1xe	
P10	0000089860	Cap C-SAFE NYION 6/6 BL T1x	

P100	1000409667	Fixing Plate Power Cord SPHC 42.0x37.0x
P14	065248-A	TV Coax Adaptor Female F-A028-NBX7-C
P20	1000444155	Cat6 Network Signal Wire 180(KINSUN,320
P22	1000228280	WIRE TV PWR EXT 250(SCD-554CCS103B00G+TK
P26	004361-AB	Screw Phillip BH M4x0.7Px10L BED Gap
P27	001682-00	Clip Tie Strap Hold Down HC-0L P
P28	1000356655	External PWR Wire Set 10 feet US TM526
P29	0000093219	Jacket PVC A5X-03-F US EP79
P30	1000203251	Plastic Base WH CHF-11E
P50	056225-A	Ferrite PART OF #79 CABLE NOT ORDERABLE
Q03Y	0000087369	Rear End Cap Left ABS PA-765A 80435 T1x
Q04Y	0000087370	Rear End Cap Right ABS PA-765A 80435 T1x
Q06	1000366832	Cushion Side Rail SBR
Q21	020096-00	Screw Hex Socket Round M8x1.25Px15L Chromed
Q24	005079-00	Washer Flat 5.2X12X1.0T Black Zinc
Q25	0000083674	Screw Hex Socket Round M5x0.8Px15L Gap
R03Y	1000344351	Belt POLY-V Flexonic 619-PJ10 HUTCHINSO
R51	004496-00	Screw Hex Socket Round M10x1.5Px90L
R53	004481-00	Screw Hex Socket Round M8x1.25Px45L
R54	005044-00	Washer Flat8.3x16x1.3T Black Zinc
R55	005014-00	Washer Spring 8.0x17.0x1.5T
Z11	004539-AD	Screw Round Hex Socket M8X1.25PX25L Chromed
Z12	005145-AC	Washer Flat 8.2x19.0x2.0T Chromed
Z13	1000364334	Washer Spring Lock 8.0x13.0x2.0t Stain
Z14	004538-AC	Screw Socket Head M8x1.25Px20L Hex Sock
Z15	004859-AC	Screw BH M8X1.25PX20L HS CHM
Z16	1000215465	SCREW SH M8X1.25PX15L MT HS SST -
Z18	1000351761	Screw Button Head M8x1.25Px16L Hex Sock
Z19	1000342599	Screw Socket Head M8x1.25Px70L-30L Adher
AB29	Part of Kit 1	Elastomer Set Semi-Assy Nai-Li T5x-02
AG5	Part of Kit 8	Extrawork Grip BL T3x

Per John Guld, this is the only power cord that will work with P100.

AQ11	Part of Kit 5	shield set motor up TM526	
B33	Part of Kit 1	Attached Plate Elastomer SPCC 1.6t Zn Pl	
B35	Part of Kit 3	Cushion Deck NBR Black f30x37 TM51	
B36	Part of Kit 1	Elastomer-Extrawork Running Deck T70	
G15	Part of Kit 15	Cover Sensor up ABS/PA746 426C Texture	
G16	Part of Kit 15	Cover Sensor left ABS/PA746 426C TM501	
G17	Part of Kit 15	Cover Sensor right ABS/PA746 426C TM501	
JM93	1000318747	Marking Motor AC230V 1500W 1000316955 US	
JM95	Part of Kit 4	Warning Label Motor - - T80	
M01	Part of Kit 4	Driver Motor AC 2.0HP 1500w 230V 1440R	
M04	Part of Kit 4	Flywheel Motor FC20 f190 TM65C	
M36	Part of Kit 4	Key Round Dual-End 6x6x45L	
Not Shown	0000095647	Semi-Assy Hardware With Tool T1x-F	
Q02	Part of Kit 9	Rail Accent left PVC 80435/137C TM507	
Q05	Part of Kit 10	Side Rail Accent right PVC 80435/137C T	
W141	1000337334	Tuner	
Z20	001688-A	Wave Tube KSS CR-07P f10.2xf7 300M/Reel	
AH2	0000093782	Elevation Rack Set TM507-1US	Discontinued
B42	004385-AE	Screw Phillip BH M5x0.8Px12L BED Gap	Discontinued - Discontinued
M06	0000093245	Screw HH W3/8x50L 27L BZN	Discontinued
M19	020477-00	Washer Flat 10.2X20.0X2.0T Black Zinc	Discontinued - Discontinued
M30	1000303181	Filter 20A 125/250V DNF250-T-20A(2)	Discontinued
P13	001597-A	GROMMET NYLON WHT	Discontinued - Discontinued
P20	1000212816	Cat5 EXT Wire Net Signal 180(3205615600 8P+T External Power Wire(Thailand) Thailand LT-\\ D/C, NO REPL: Part will show as orderable until stock is depleted.	Discontinued
P28	058614-B		Discontinued
P28	0000089503	PWR Cord External JAPAN 100V 3000\\ D/C, NO REPL: Part will show as orderable until stock is depleted.	Discontinued